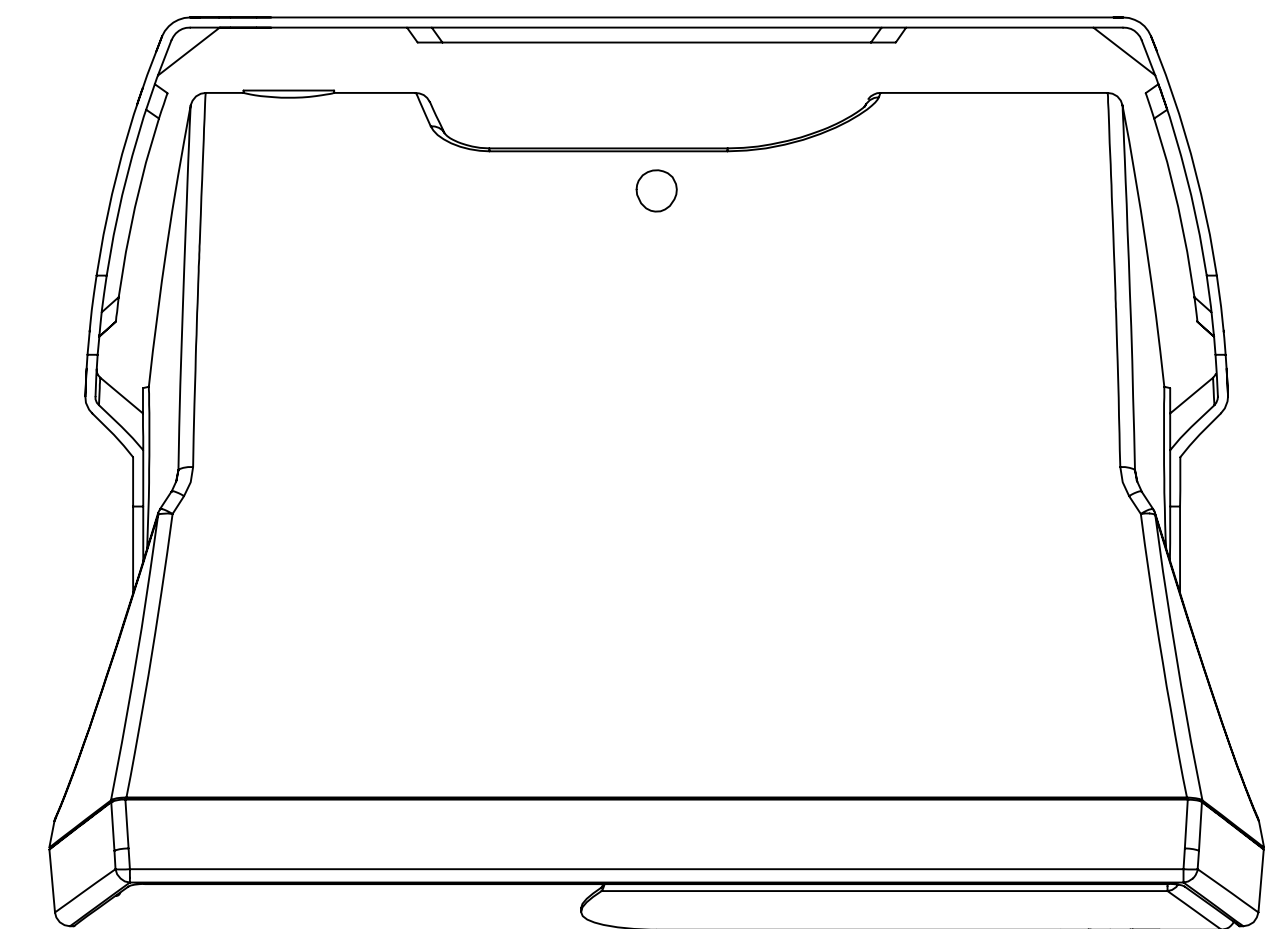
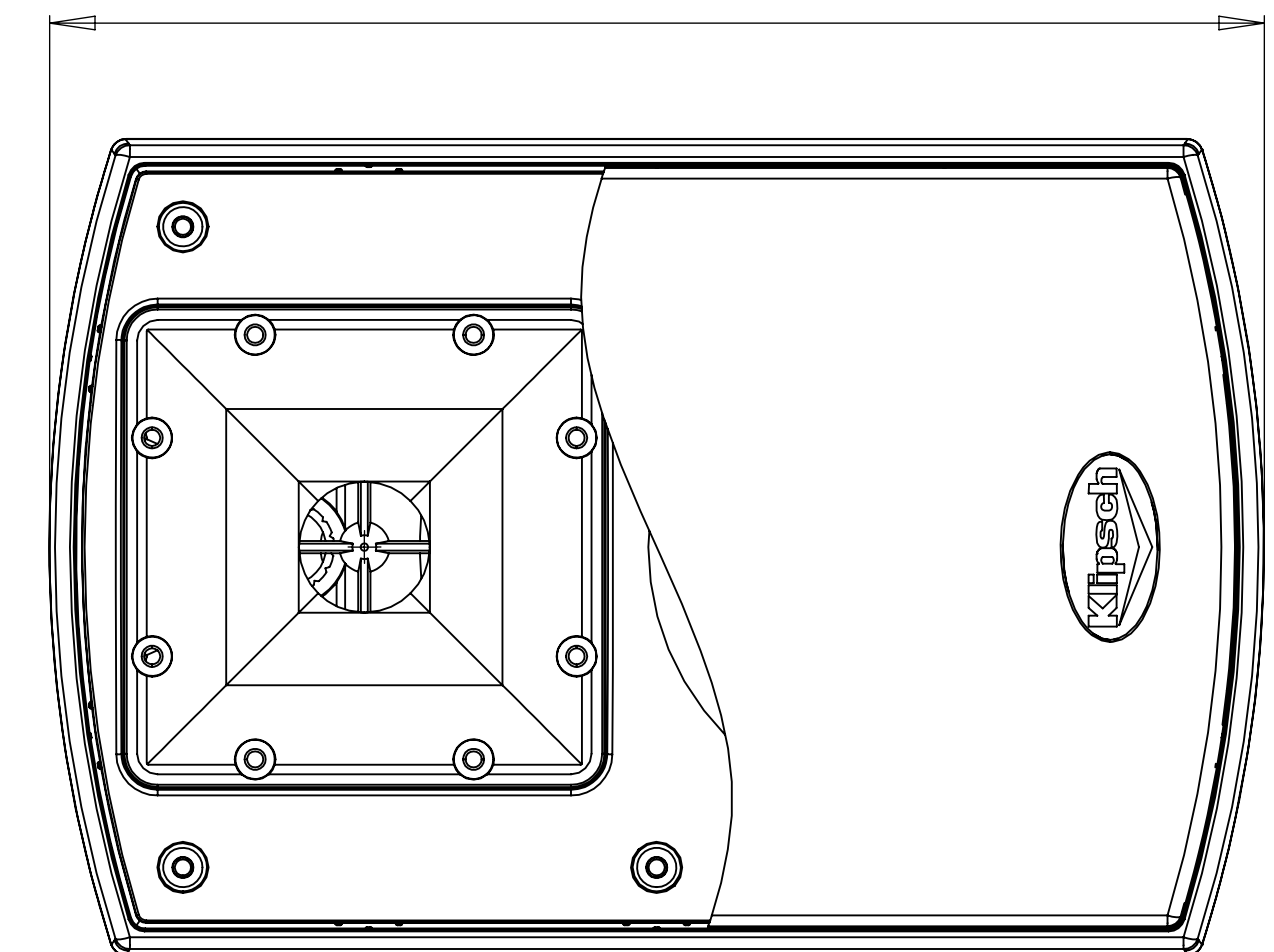


REVISIONS				
REV.	ECN NO.	DESCRIPTION	DATE	APPROVED



TOP VIEW

9.490

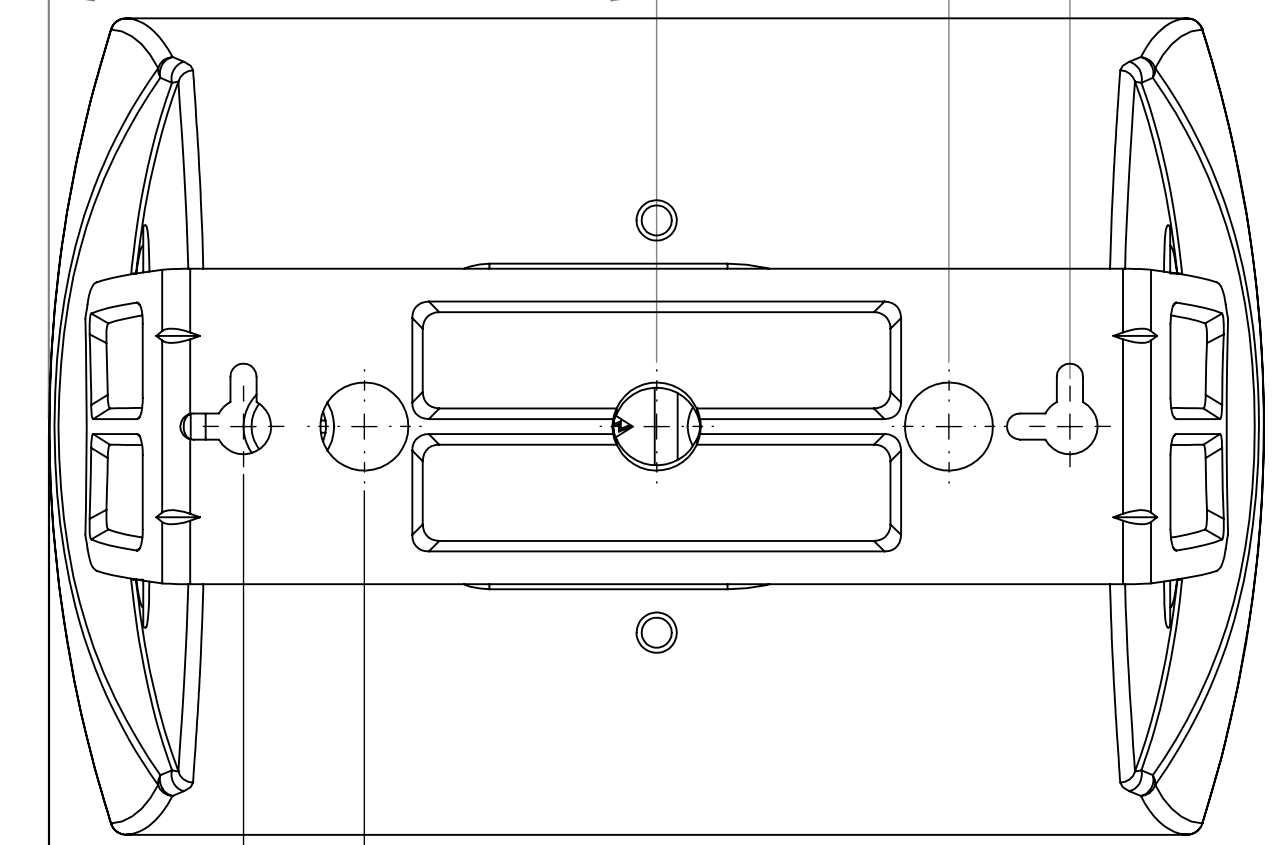


FRONT VIEW

7.980

7.035

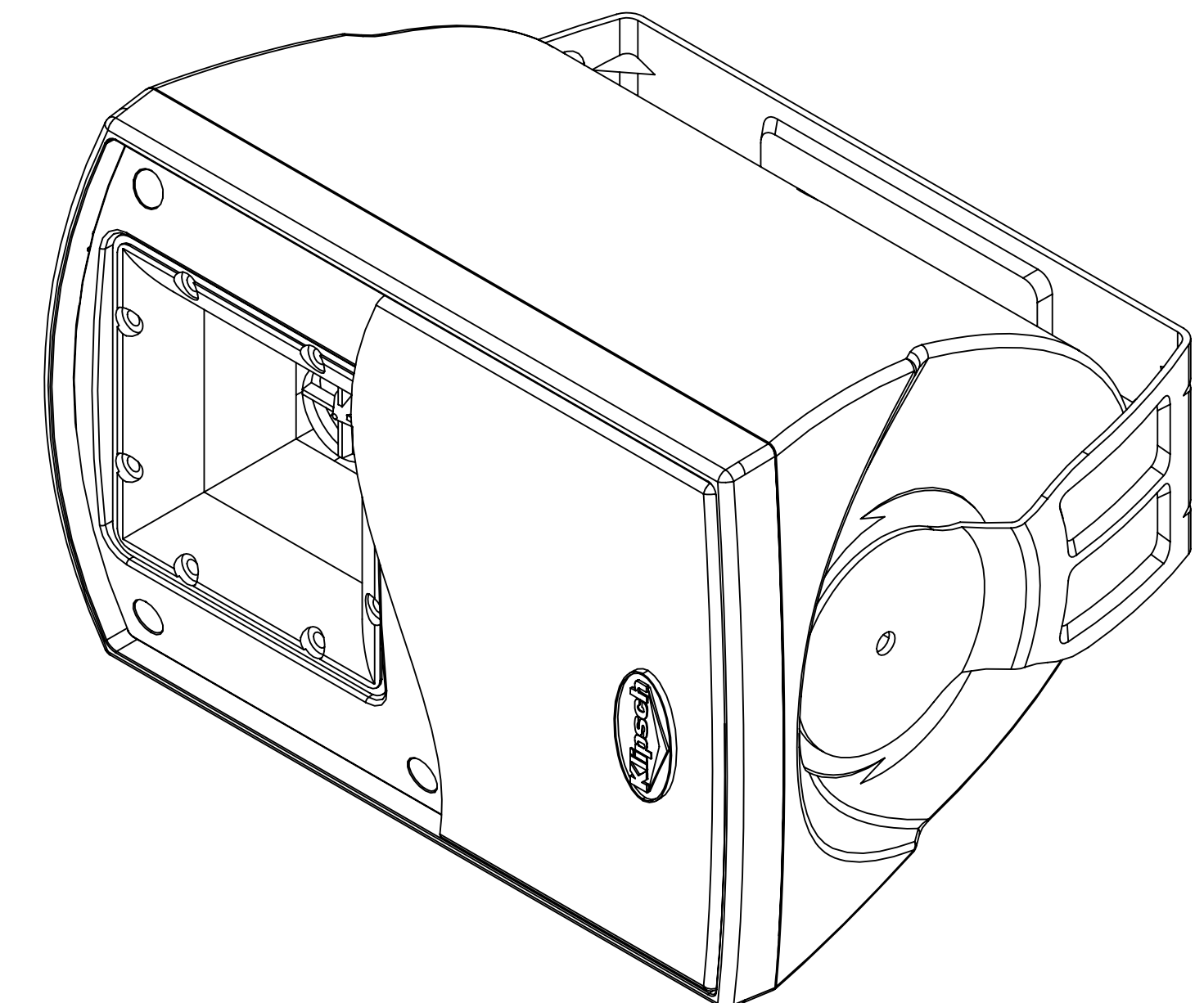
4.751



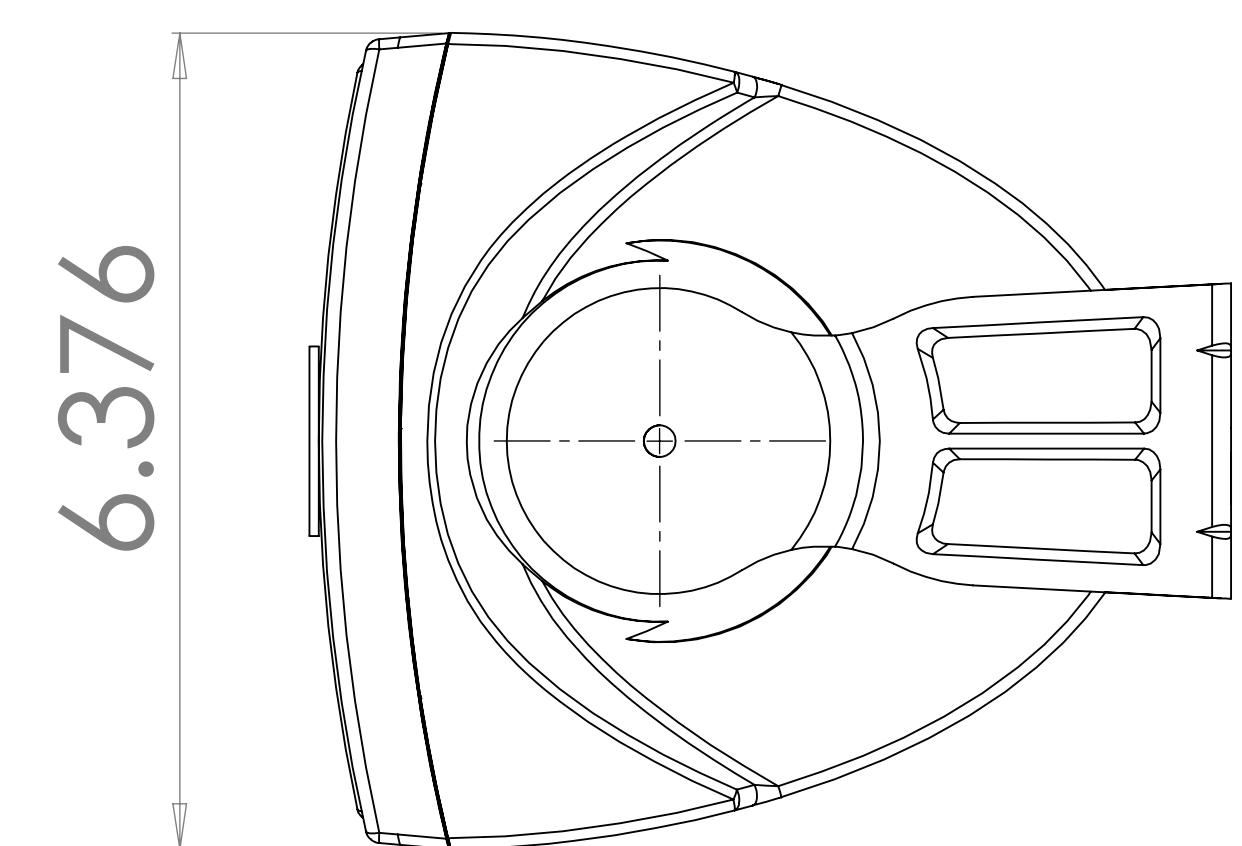
BACK VIEW

1.515

2.468

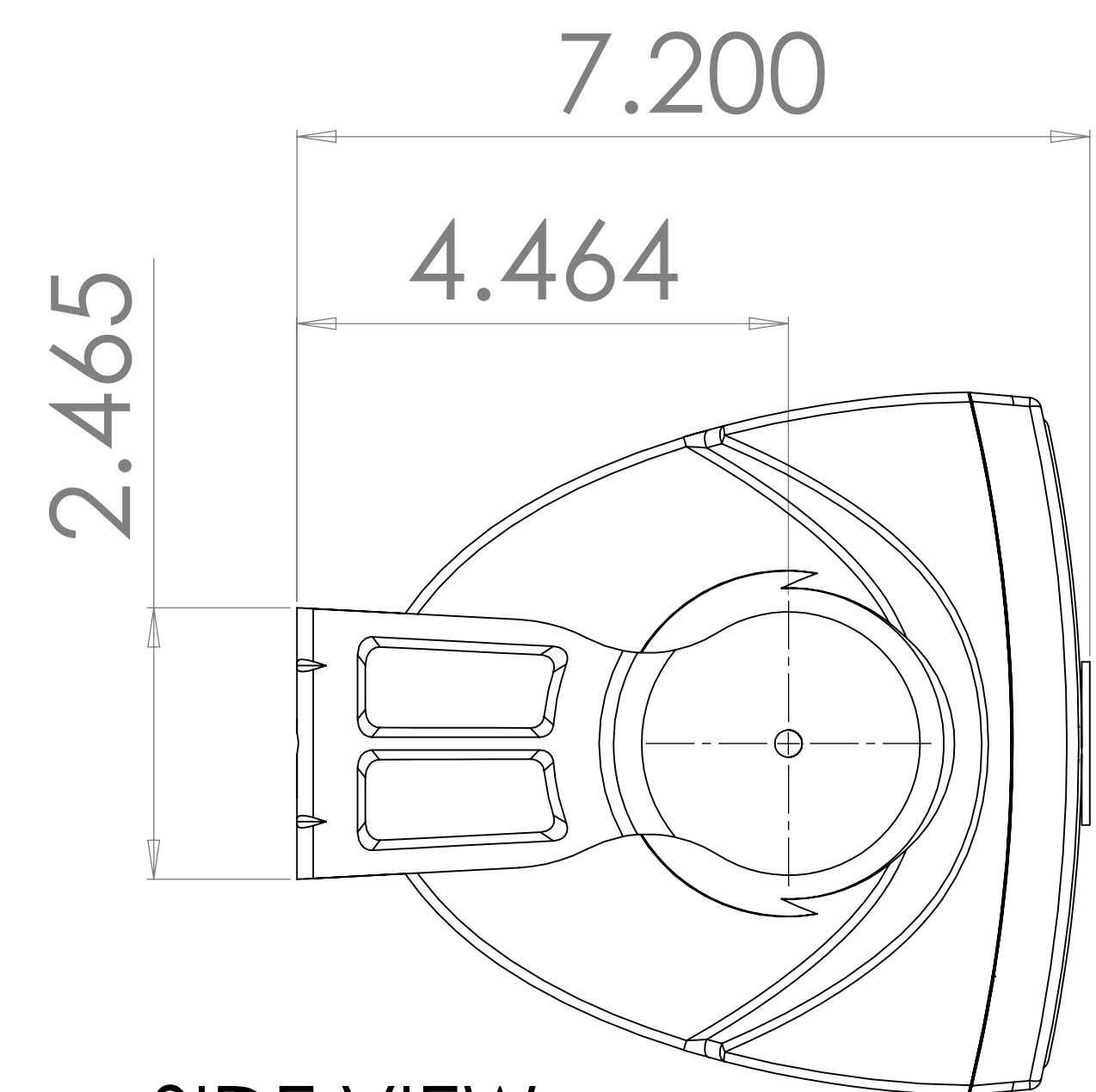


ISOMETRIC VIEW



SIDE VIEW

6.376

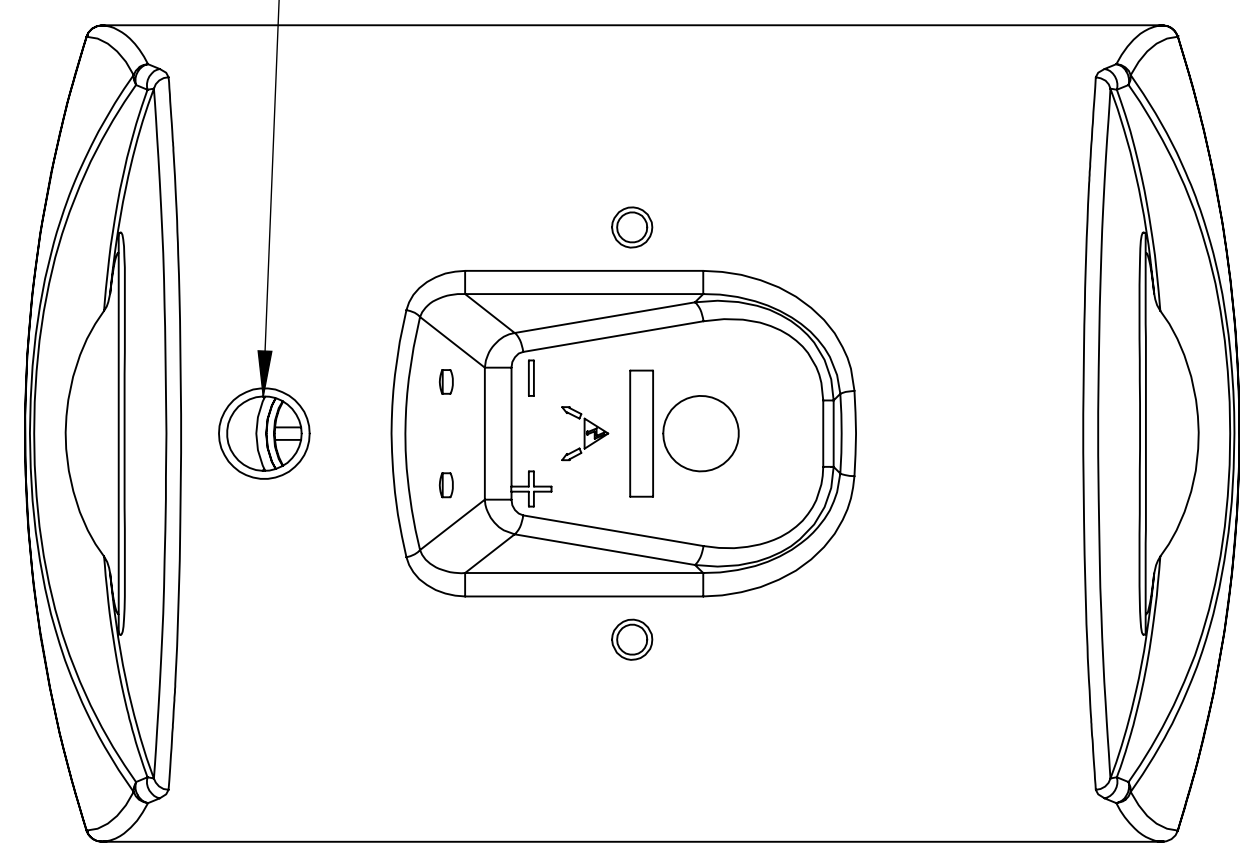


SIDE VIEW

7.200

4.464

2.465



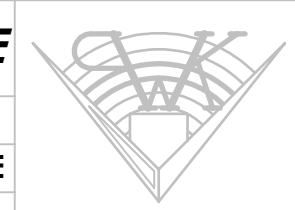
BACK VIEW WITHOUT BRACKET

3/8-16 UNC
THREADED INSERT

THE INFORMATION IN THIS DOCUMENT IS THE PROPERTY OF KLIPSCH L.L.C. AND CONTAINS PROPRIETARY AND CONFIDENTIAL INFORMATION. THIS DOCUMENT IS GIVEN FOR THE PURPOSE OF QUOTATION OR PROCUREMENT AND THE INFORMATION CONTAINED HEREIN SHALL NOT BE DISCLOSED TO OTHERS, OR BE REPRODUCED OR COPIED FOR ANY OTHER PURPOSE WITHOUT THE EXPRESS WRITTEN CONSENT OF KLIPSCH L.L.C.

TOLERANCES UNLESS OTHERWISE SPECIFIED	
DECIMAL	FRACTION
.X ± .02	± 1/64
.XX ± .01	± 1°
.XXX ± .005	FINISH
	32 [0.8]

DO NOT SCALE	
APPROVALS	
SIGNATURES	DATE
ORIGINATOR: Darin Ritter	6/4/08
CHECKER:	
ENGINEER:	
MFG ENG:	
REVISED BY:	



Klipsch
AUDIO TECHNOLOGIES
3502 WOODVIEW TRACE,
SUITE 050
INDIANAPOLIS, IN 46268

TITLE: **AW-400 2D ARCH**
DWG. NO. D
SCALE: 1:1 SHEET: 1 OF 1