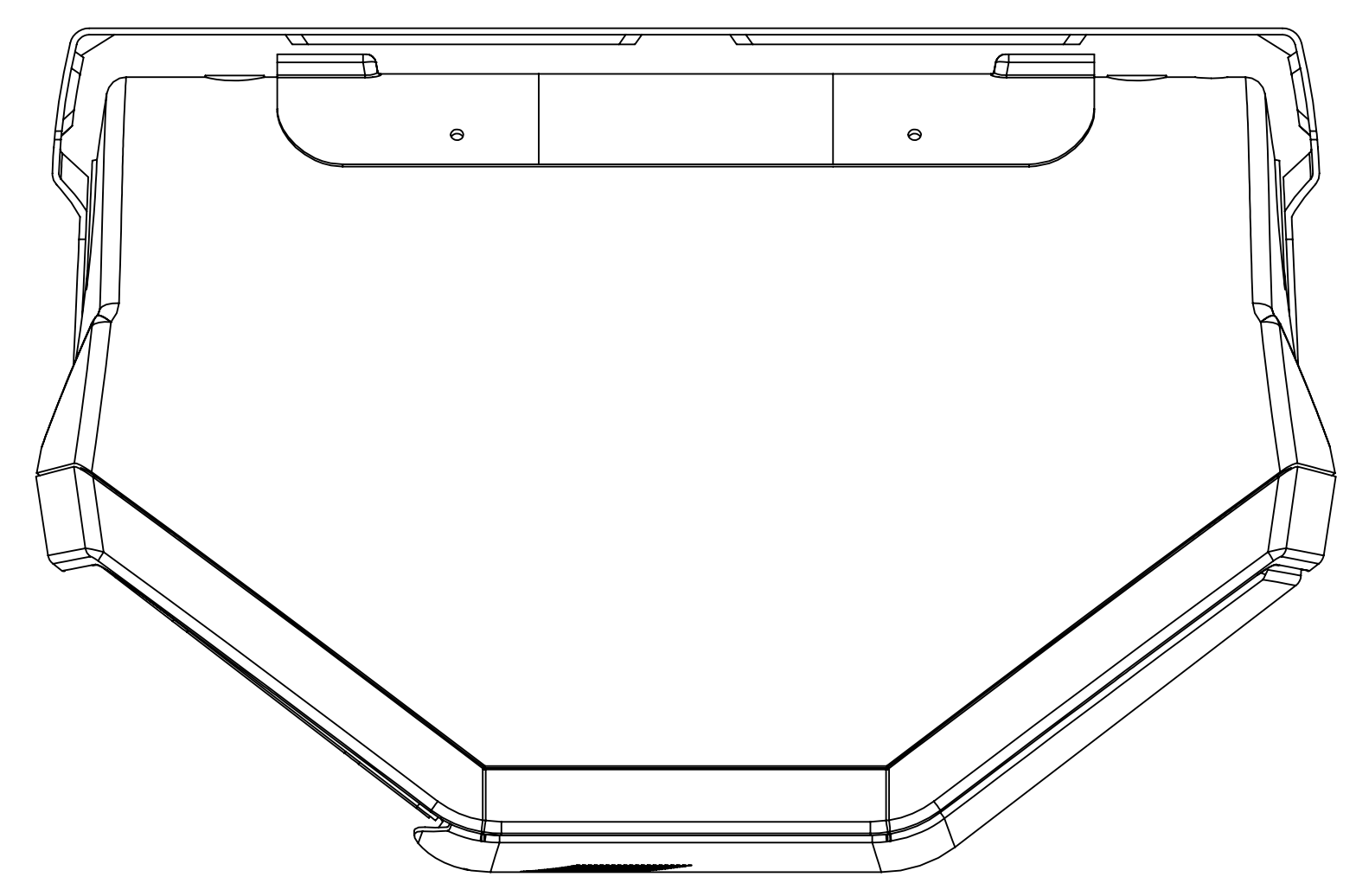
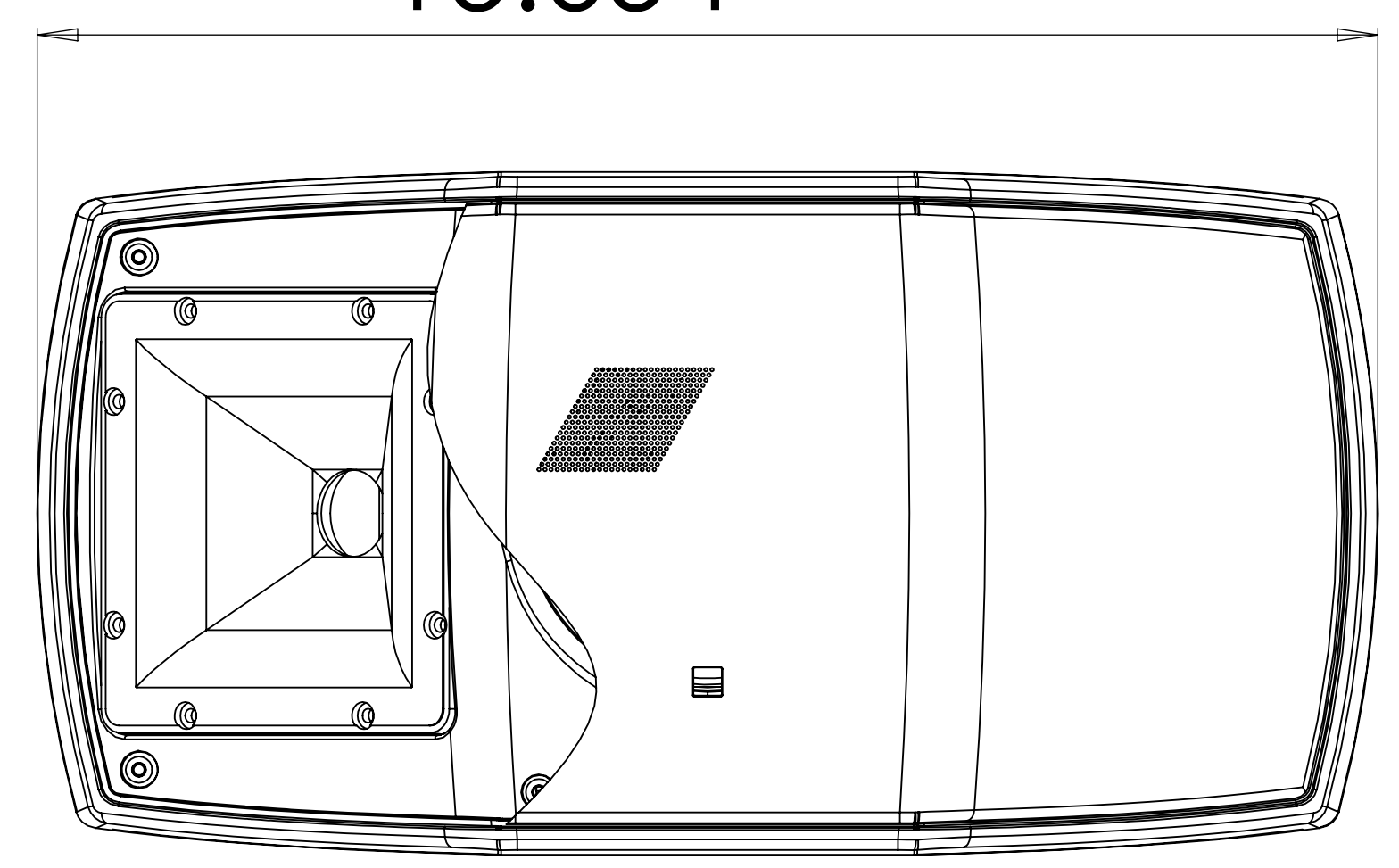


REVISIONS				
REV.	ECN NO.	DESCRIPTION	DATE	APPROVED



TOP VIEW

15.654

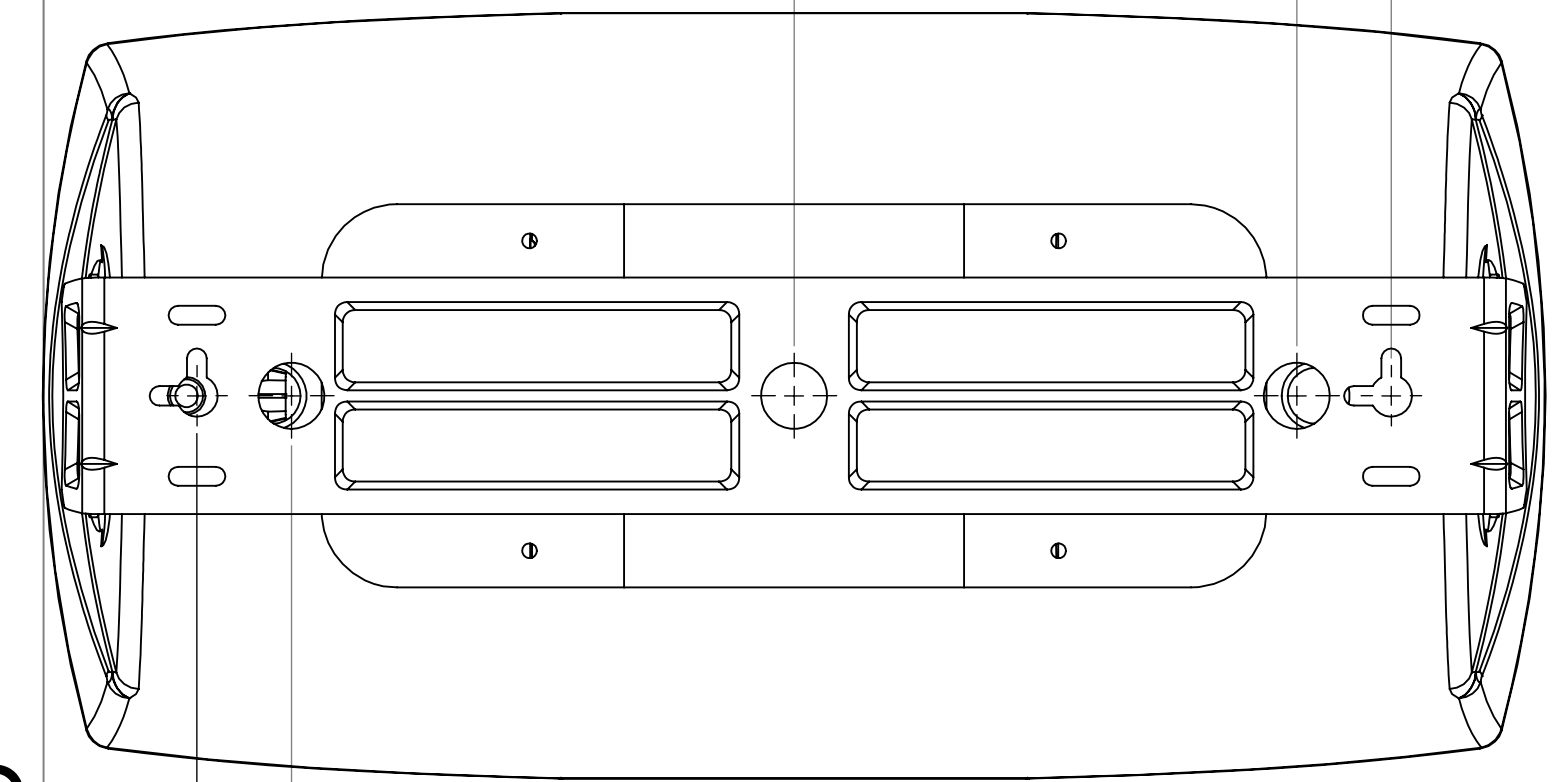


FRONT VIEW

14.040

13.056

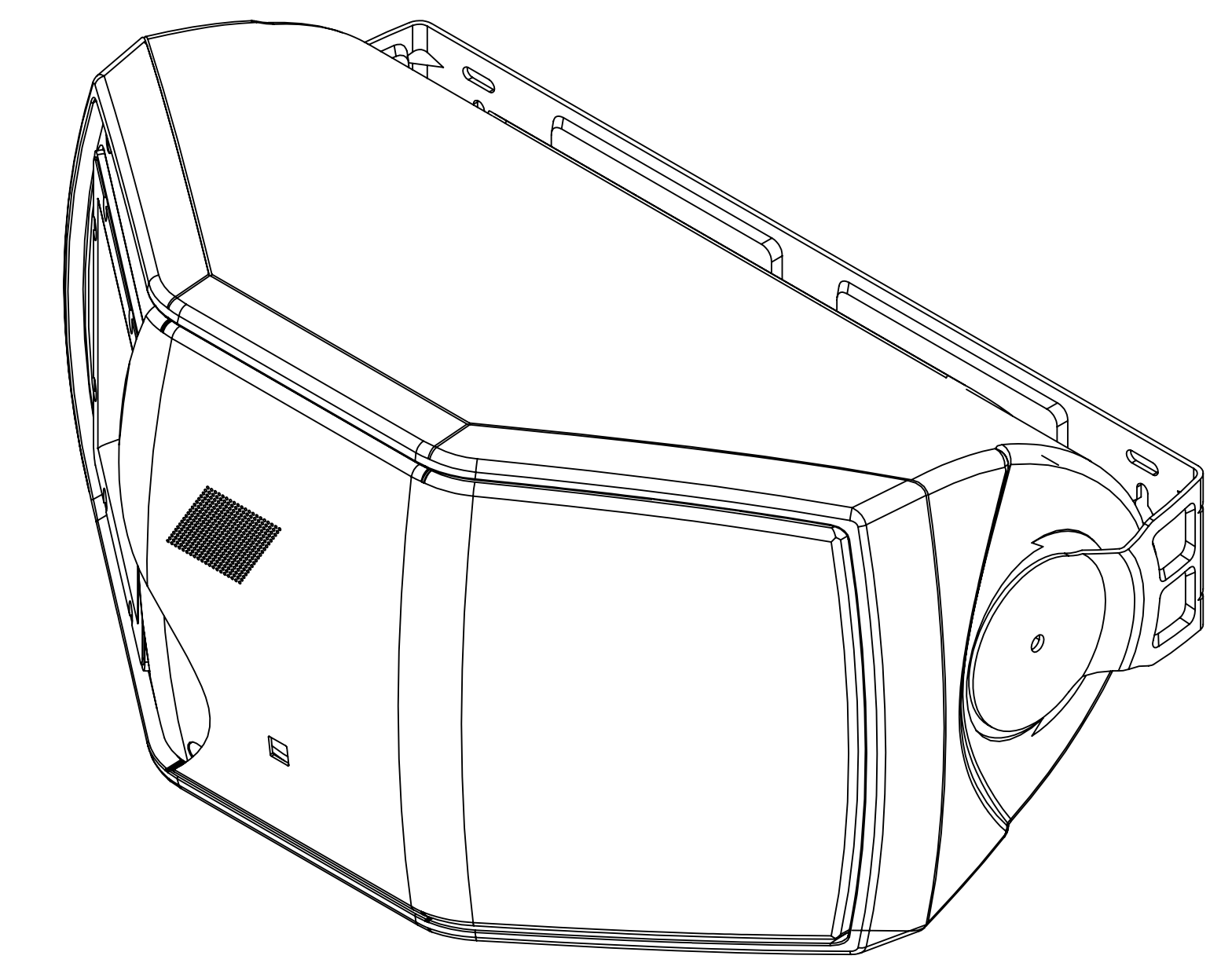
7.820



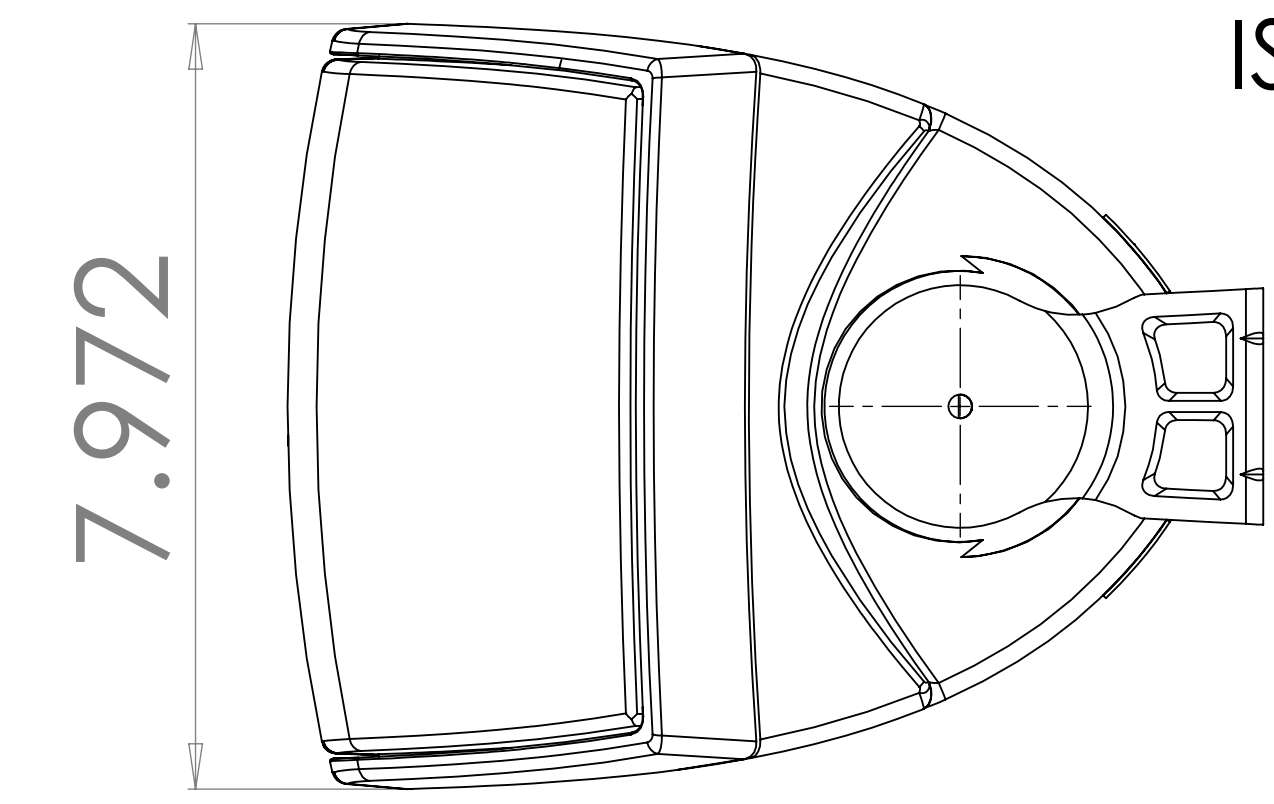
BACK VIEW

1.599

2.583

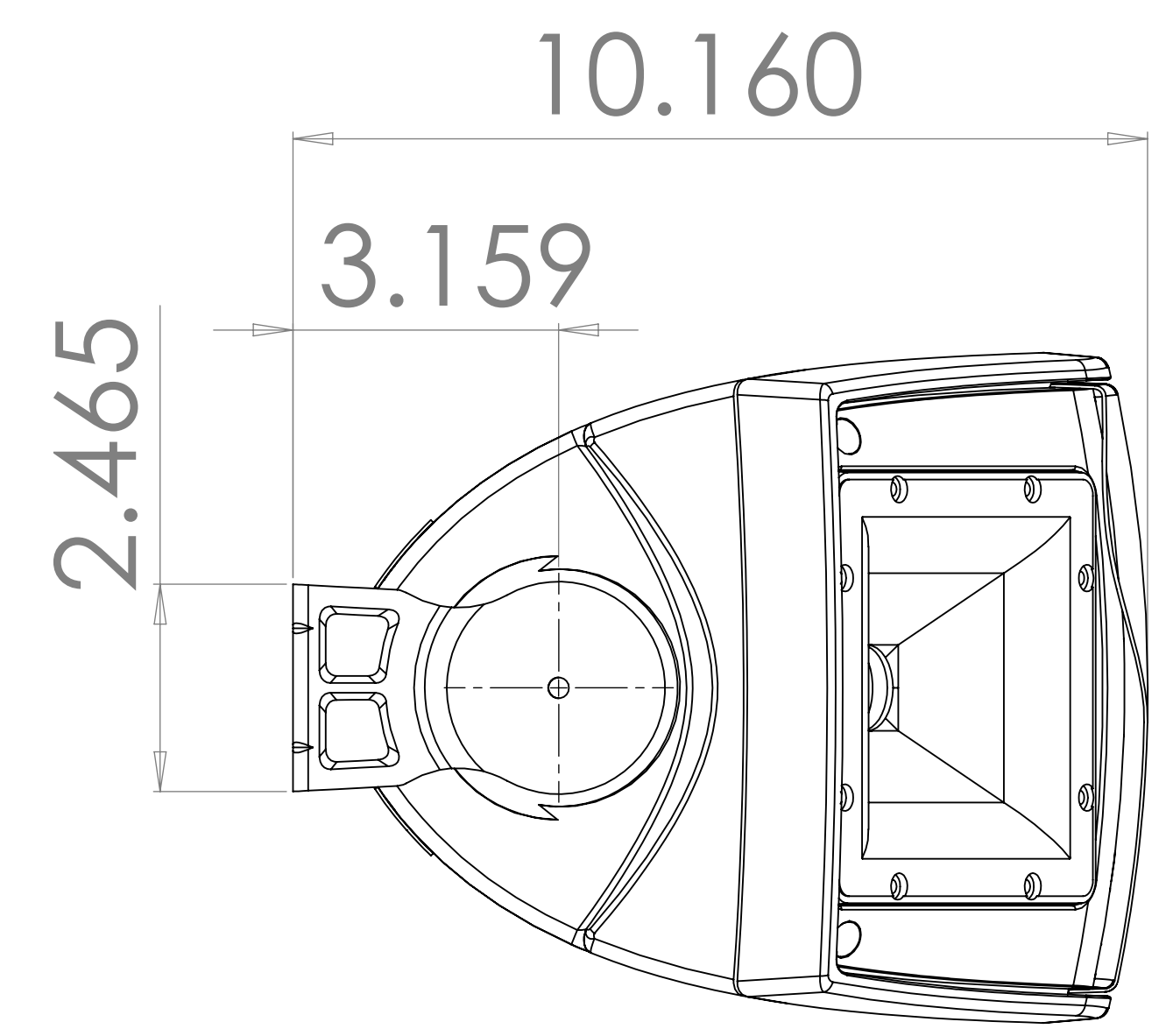


ISOMETRIC VIEW

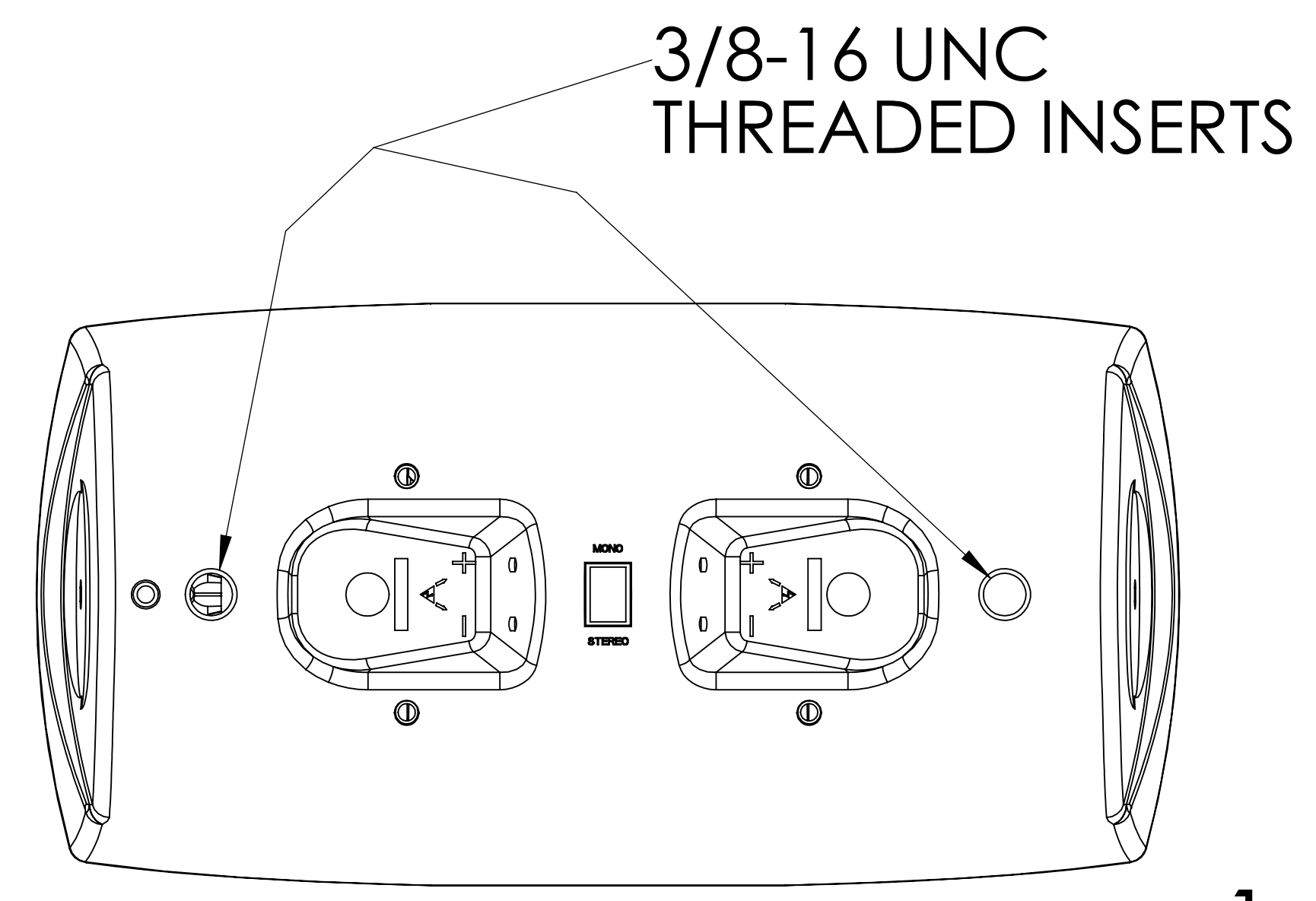


SIDE VIEW

7.972



SIDE VIEW



BACK VIEW WITHOUT BRACKET

THE INFORMATION IN THIS DOCUMENT IS THE PROPERTY OF KLIPPSCH L.L.C. AND CONTAINS PROPRIETARY AND CONFIDENTIAL INFORMATION. THIS DOCUMENT IS GIVEN FOR THE PURPOSE OF QUOTATION OR PROCUREMENT AND THE INFORMATION CONTAINED HEREIN SHALL NOT BE DISCLOSED TO OTHERS, OR BE DUPLICATED FOR ANY OTHER PURPOSE WITHOUT THE EXPRESS WRITTEN CONSENT OF KLIPPSCH L.L.C.

WHERE USED	FRACTION	DECIMAL

TOLERANCES UNLESS OTHERWISE SPECIFIED	
DECIMAL	FRACTION
.X ± .02	± 1/64
.XX ± .01	± 1°
.XXX ± .005	FINISH
	32 [0.8]

DO NOT SCALE	
APPROVALS	
SIGNATURES	DATE
ORIGINATOR: DARIN RITTER	6/4/08
CHECKER:	
ENGINEER:	
MFG ENG:	
REVISED BY:	

Klipsch
 AUDIO TECHNOLOGIES
 3502 WOODVIEW TRACE,
 SUITE 050
 INDIANAPOLIS, IN 46268

TITLE: **AW-500-SM 2D ARCH**

DWG. NO. REV. DATE SCALE: 1:1 SHEET: 1 OF 1