

Three-Way Behind the Screen Cinema System

KPT-MCM-3 GRAND



THX

SPECIFICATIONS

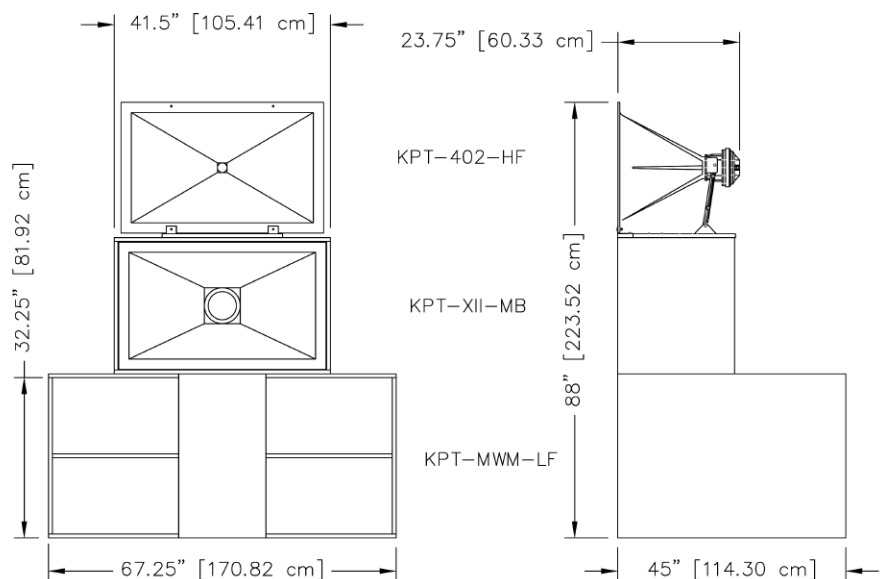
Discriminating theater operators know that some of the best performers are behind the screen. With its high efficiency and output, low distortion and unconstrained dynamics, the Klipsch KPT-MCM-3 Grand three-way cinema system is certainly among one of them.

Designed for spectacular sound in large venues, the KPT-MCM-3 Grand is particularly well suited to auditoriums with digital sound systems. Key to the speaker's performance is its KPT-MWM dual 15-inch, horn-loaded woofer enclosure, assisted by a separate KPT-XII 12-inch Tractrix® Horn-loaded mid-bass module. Perfectly balancing this low-frequency combination is a KPT-402-HF Tractrix Horn mated to a K-1132 two-inch exit titanium compression driver.

The advanced Tractrix Horn geometry and compression driver technology featured on the KPT-MCM-3 Grand enables it to produce more output using less energy. This improves reliability and reduces distortion so listeners hear exactly what they are supposed to hear, instead of loudspeaker coloration.

FREQUENCY RESPONSE*	40Hz-19kHz ± 3dB -10dB @ 35Hz
POWER HANDLING	1100 watts
CROSSOVER POINTS	300Hz, 800Hz
DELAY	LF- 0ms MF- 5.0ms HF- 4.4ms
CROSSOVER SLOPE	24dB/Octave
SENSITIVITY	108dB
COVERAGE	HORIZONTAL 50° ± 30° 350Hz-16kHz VERTICAL 50° ± 30° 350Hz-16kHz
SYSTEM COMPONENTS	LF - KPT-MWM-LF - 400 watts/driver MB - KPT-XII-MB - 250 watts HF - KPT-402-MF - 50 watts
HEIGHT	88" (223.5cm)
WIDTH	67.25" (170.8cm)
DEPTH	45" (114.3cm)
WEIGHT	506 lbs. (230kg)

*Frequency response behind a screen with horn eq applied



www.klipsch.com
1-800-KLIPSCH