

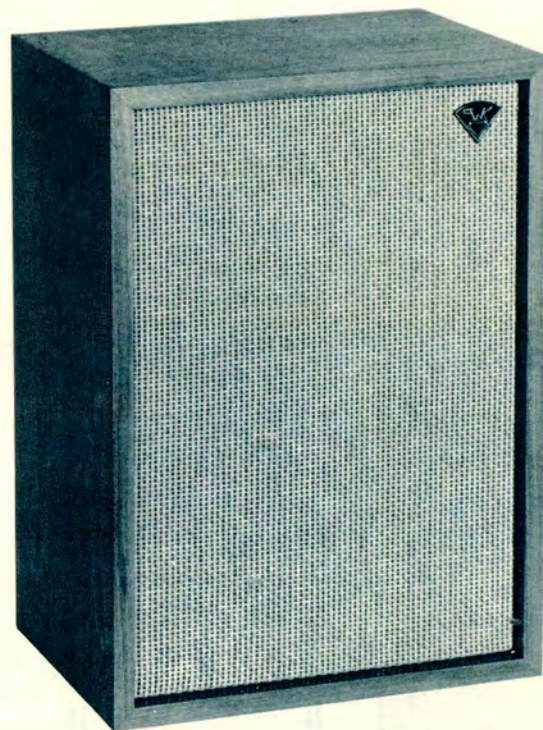
# KLIPSCH MODEL H<sup>®</sup>

**QUALITY SOUND SYSTEM FOR THEATERS ,  
HOMES AND NIGHT CLUBS; MONITOR FOR RE-  
CORDING AND BROADCAST STUDIOS; OR  
OTHER PROFESSIONAL OR SERIOUS AMATEUR  
USE WHERE FAITHFUL REPRODUCTION IS  
DEMANDED.**

The Klipsch MODEL H theater-auditorium loudspeaker is a high-efficiency, low-distortion system covering a wide range of frequencies with an unusually smooth response. Bass range extends solidly from 70 Hz, usable to 45. In spite of the high quality, size has been brought to such a minimum as to classify this speaker as a "miniature" among speakers of this type. Although the woofer unit occupies only 1.5 cubic feet, the response, range and efficiency equal or exceed systems of considerably larger size. This loudspeaker affords the same smoothness of response as the KLIPSCHORN, but the bass cutoff is approximately 40 Hz higher.

It is so shaped as to adapt it for over-proscenium-arch location where space to ceiling is limited to only 2 feet (1.3 feet if unit is oriented horizontally). It may also be so used as a center-stereo unit, in combination with like flanking units or with KLIPSCHORNS on flanks. When used as flanking units, 30 to 45 degrees toe-in is suggested, depending on proportions of listening area.

Horn-loaded throughout its treble spectrum, it maintains low diaphragm amplitudes and velocities necessary for low modulation distortion. The resulting clarity, a feature of all our speakers, even at the volume levels required for auditorium use, is typical of this highest level of quality. The MODEL H is a 3-way system with rugged phenolic diaphragms in the high-frequency-horn drivers. It boasts response from 70 to 17,000 Hz,  $\pm 5$  dB.



**UNUSUALLY SMOOTH • COMPACT SIZE •  
PORTABLE • ACCURATE REPRODUCTION  
• 70-17,000 HZ • LOW DISTORTION • HIGH  
EFFICIENCY • 25-WATT CAPACITY • TREBLE  
HORN CONSTRUCTION**

**KLIPSCH AND ASSOCIATES, INC.**  
P. O. Box 280 • Hope, Arkansas 71801 • Phone 501-777-6751

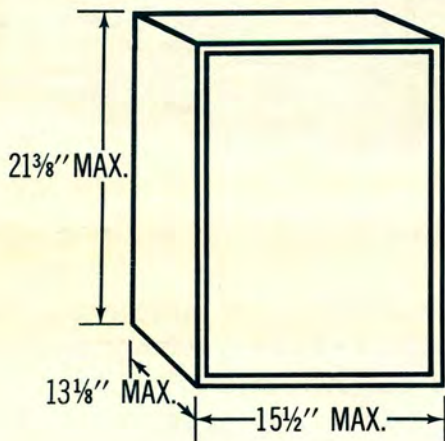


# KLIPSCH MODEL H<sup>®</sup>

## LOUDSPEAKER SYSTEM ARCHITECTS' AND ENGINEERS' SPECIFICATIONS

### MODEL H SPECIFICATIONS

Power Input	25 watts (Program)
Frequency Response: ±5 dB	70 to 17,000 Hz
Sound pressure level	93.5 dB for 1 watt ref. .0002 dyne/cm <sup>2</sup> with type C network at 96.5 dB etc.
Impedance	16 ohms
Drive components	Klipsch K-22 Woofer, Klipsch K-55-V Mid range driver on K 700 Horn and Klipsch K-77 Tweeter
Network	Type C 700/6000 Hz Optional: Type B network for center speaker when used with higher efficiency flanking speakers.
Dimensions	Height 21 <sup>3</sup> / <sub>8</sub> " max. Width 15 <sup>1</sup> / <sub>2</sub> " max. Depth 13 <sup>1</sup> / <sub>8</sub> " max.
Weight	55 lbs. (shipping weight max.)
Finishes and Price	See catalog and price sheet



**KLIPSCH & ASSOCIATES, INC.**  
POST OFFICE BOX 280, HOPE, ARKANSAS 71801



The mark of integrity in loudspeaker systems

The speaker shall be of the total enclosure type with separate but integrally joined bass and treble horn systems of quality to conform to highest theater and home-use standards. The response shall be within peak-trough limits of 10 dB from 70 to 17,000 Hz and not more than 5 dB farther down at 45 to 19,000. Efficiency shall be at least 93.5 dB with type C network, 96.5 with type B network at 4 feet with one watt input.

The high-frequency system shall comprise straight-axis horns; horns employing bends will not be acceptable due to inherent response errors. The horns shall provide a coverage of 80° horizontal, 30° vertical, with less than 10 dB loss at the stated extreme angles.

The low-frequency unit shall be of the direct-radiator, total-enclosure type with a single 12-inch driver unit and a tightly enclosed back-air chamber.

The crossover frequencies shall be 700 Hz and 6000 Hz and the power input capacity shall be as tabulated. The speaker output shall be 90 dB SPL at 2 feet with less than 3% total modulation distortion.

The loudspeaker shall be the KLIPSCH MODEL H.