

KLIPSCH
belle klipsch[®]

LOUDSPEAKER SYSTEM

*SAME BASIC DESIGN AS LA SCALA
THEATER SPEAKER. MODERATE SIZE. FAITH-
FUL REPRODUCTION. FINISHED IN FINE
HARDWOODS.*

Fully horn loaded, the BELLE KLIPSCH has the advantages of high efficiency with resultant low diaphragm excursions. This gives it less than one tenth the total modulation distortion of direct radiator speakers of comparable size and equal output. Tonal quality is thus preserved whether it is played at whispering low levels or ear splitting high levels. Bass extends solidly down to 45 Hz with usable response to 40 Hz. This quality is achieved with small bulk. Depth has been minimized to a mere 47.6 cm. (18¾ inches) and the woofer horn occupies only 231 liters (eight cubic feet). Yet the response, range, and efficiency are equal or superior to that of much larger systems. The smoothness, dispersion, and minimal distortion match that of the KLIPSCHORN. The bass cut-off, however, is 10 Hz higher.

The BELLE KLIPSCH is designed for a large number of applications where high performance, small size and smart appearance are paramount. It is ideally suited as center speaker between flanking KLIPSCHORNS or in any location in multi-speaker arrays with Klipsch speakers, or as the single speaker in a monophonic system.

With exponential horn loading throughout its operating spectrum, it maintains low diaphragm amplitudes and velocities necessary for low modulation distortion, a characteristic of all Klipsch speakers. High frequency drivers have rugged phenolic diaphragms. Response is from 45 to 17,000 Hz \pm 5 dB.



UNUSUALLY SMOOTH RESPONSE.
MINIMAL DISTORTION. ACCURATE REPRO-
DUCTION. 45-17,000 Hz RANGE. HIGH
EFFICIENCY. 100 WATT CAPACITY.
ALL HORN CONSTRUCTION.

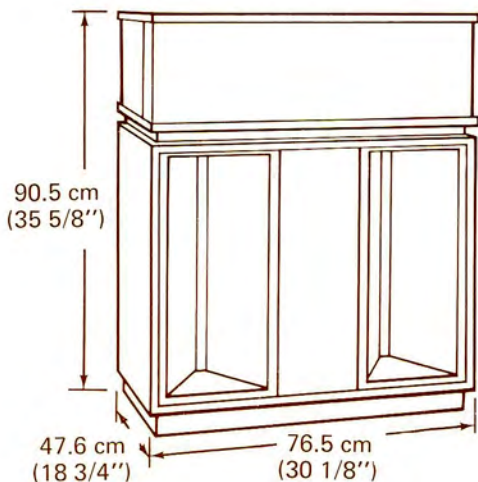
KLIPSCH AND ASSOCIATES, INC.
P. O. Box 688 • Hope, Arkansas 71801 • Phone 501 — 777-6751

SPECIFICATIONS

Power Input Maximum 105 Watts (Program)
Fusing recommended 1 amp fast blow fuse.
Maximum 2 ampere

Total Modulation Distortion is expressed as RMS amplitude of modulation side-bands in percent of amplitude of the modulated frequency. It is a function of the total power output and is therefore expressed at a specified sound pressure output.

	Total Modulation Distortion (Max) %	at Sound Pressure Level dB at 61 cm. (2 ft.)
BELLE KLIPSCH	1.0	100
Frequency Response ± 5 dB	45-17,000 Hz	
Sound pressure level	104 dB for 1 watt input ref. .0002 dyne/cm ² measured at 121.92 cm. (4 ft.) on axis	
Impedance	8 Ohms nominal (works admirably with amplifiers rated for 4 Ohms output)	
Drive Components	Klipsch K-33 Woofer, Klipsch K-55-V Mid range driver and Klipsch K-77 Tweeter	
Network	Type AA, 400/6000 Hz with Zener diode protector for tweeter	
Dimensions	76.5 cm. (30 1/8") wide x 90.5 cm. (35 5/8") high x 47.6 cm. (18 3/4") deep	
Weight	56.7 kg. (125 lbs.) max. 68 kg. (150 lbs.) shipping wt.	
Finish	Walnut with choice of grille cloth	



KLIPSCH

belle klipsch®

LOUDSPEAKER SYSTEM

ARCHITECTS' AND ENGINEERS' SPECIFICATIONS

The speaker shall be of the horn type with separate but integrally joined bass and treble horn systems of quality to conform to highest theater and home use standards. The response shall be within peak-trough limits of 10 dB from 45 to 17,000 Hz and not more than 5 dB farther down at 40 and 18,000. The output shall be at least 104 dB at 122 cm. (4 ft.) with one watt input (54 dB EIA rating).

The high frequency system shall comprise straight axis horns; horns employing bends will not be acceptable due to inherent response errors. The horn shall provide a coverage of 80° horizontal, 30° vertical, with less than 10 dB loss at the stated extreme angles.

The low frequency horn shall be of the folded type with a single 38 cm. (15 in.) driver unit and a tightly enclosed back air chamber. Non-folded types and ported back air chambers will not be acceptable under this specification because of inherent bass loss and excessive cone motion causing frequency modulation distortion.

The crossover frequencies shall be 400 Hz and 6000 Hz, and the power input capacity shall be as tabulated. The speaker output capacity shall be 100 dB SPL at 61 cm. (2 ft.) with less than 1% total modulation distortion.

The loudspeaker shall be KLIPSCH BELLE KLIPSCH.

KLIPSCH & ASSOCIATES, INC.
POST OFFICE BOX 688 HOPE, ARKANSAS 71801



The mark of integrity in loudspeaker systems